

1 2 3 4 5 6 7 8

A

A

B

B

C

C

D

D

E

E

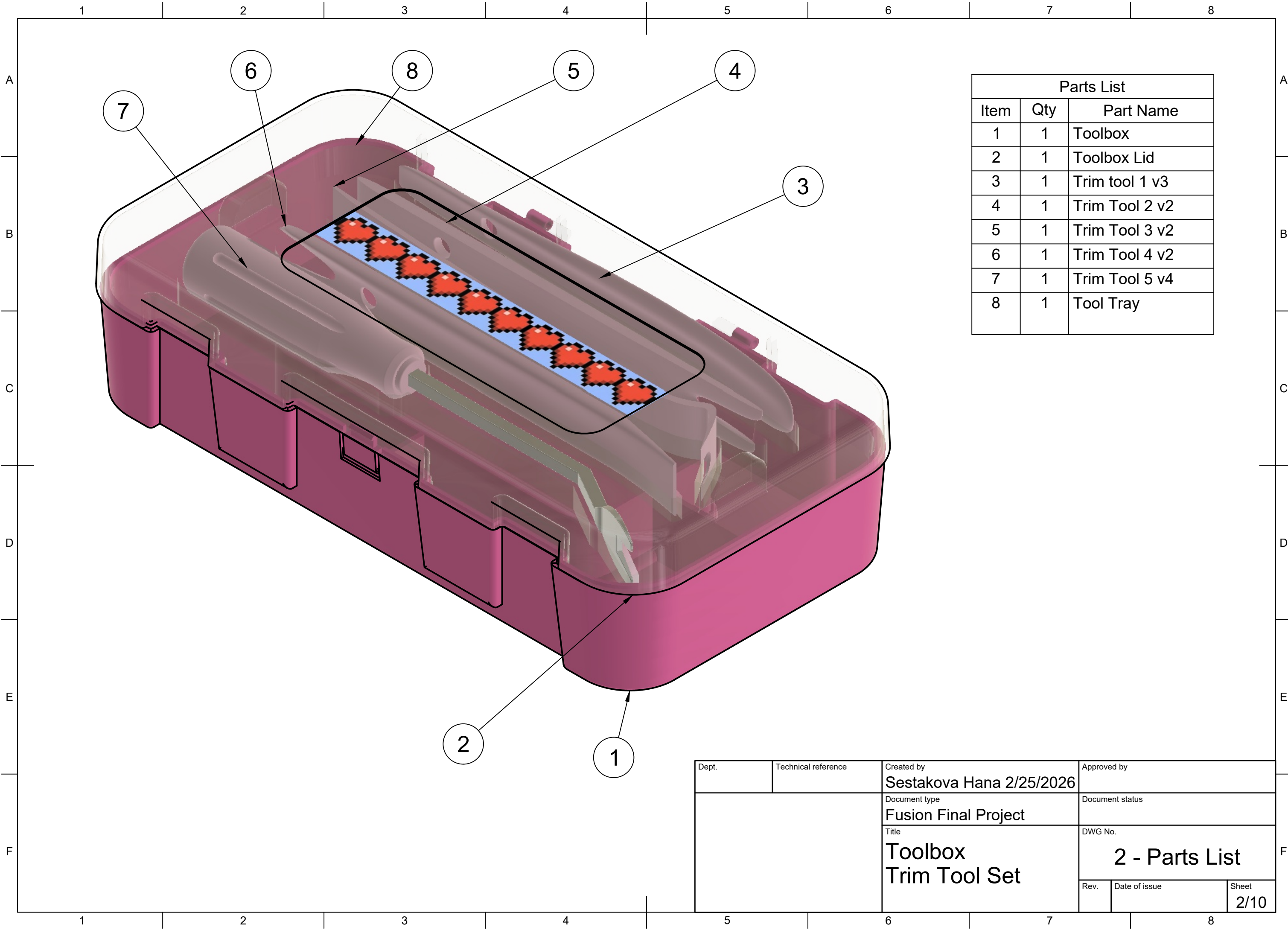
F

F



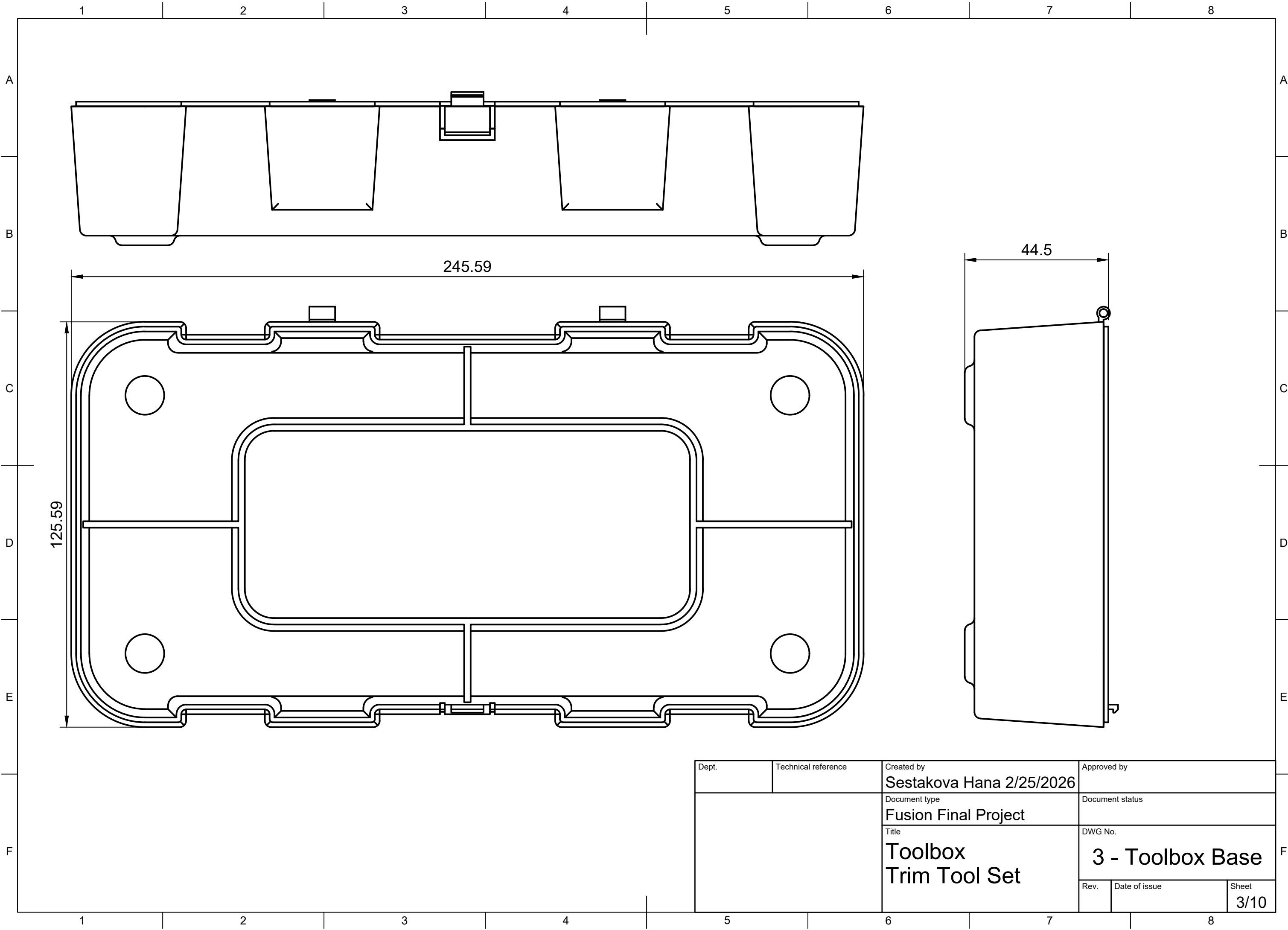
Dept.	Technical reference	Created by Sestakova Hana 2/25/2026	Approved by
		Document type Fusion Final Project	Document status
		Title Toolbox Trim Tool Set	DWG No. 1 - Coversheet
			Rev. Date of issue Sheet 1/10

1 2 3 4 5 6 7 8

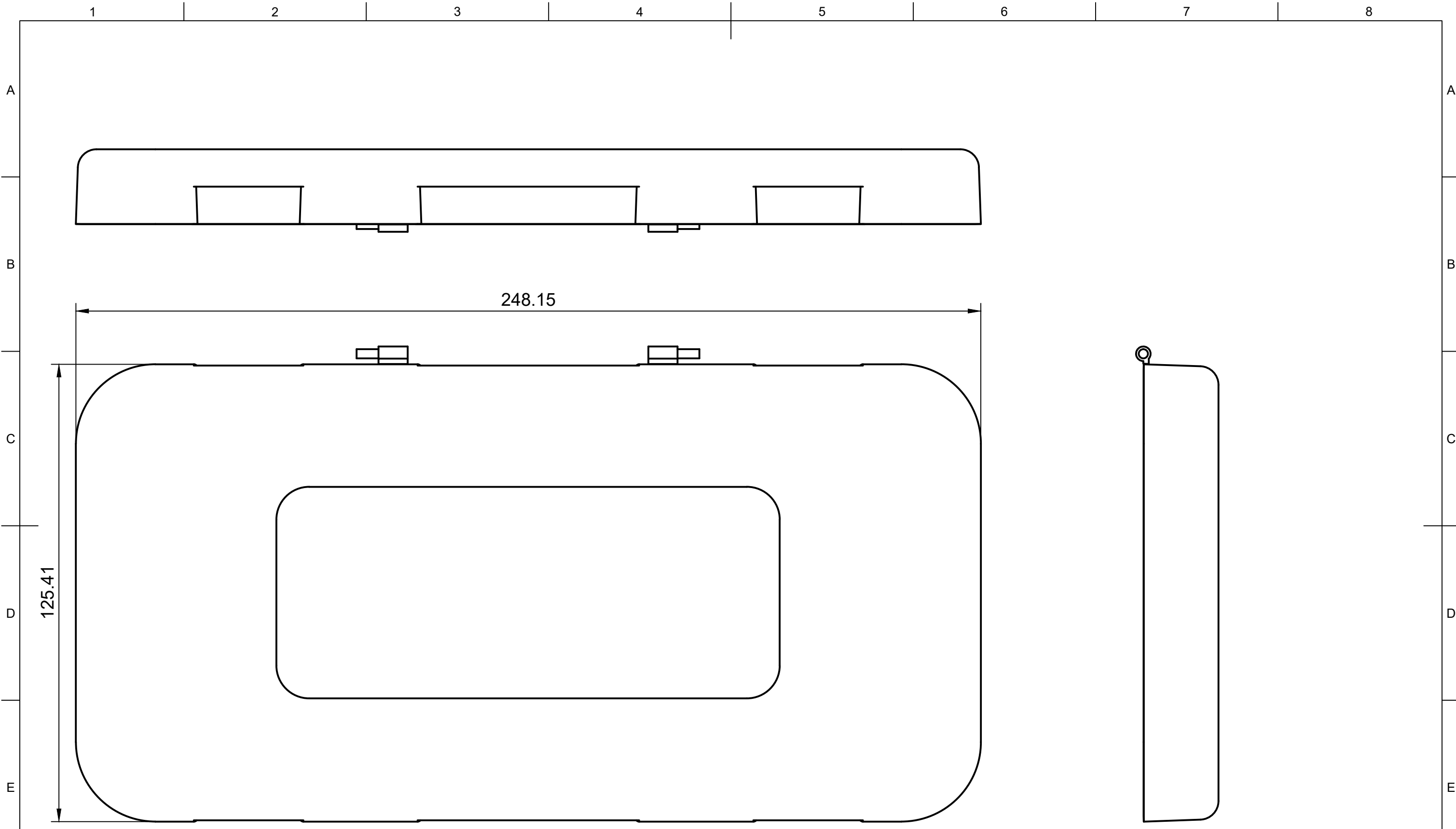


Parts List		
Item	Qty	Part Name
1	1	Toolbox
2	1	Toolbox Lid
3	1	Trim tool 1 v3
4	1	Trim Tool 2 v2
5	1	Trim Tool 3 v2
6	1	Trim Tool 4 v2
7	1	Trim Tool 5 v4
8	1	Tool Tray

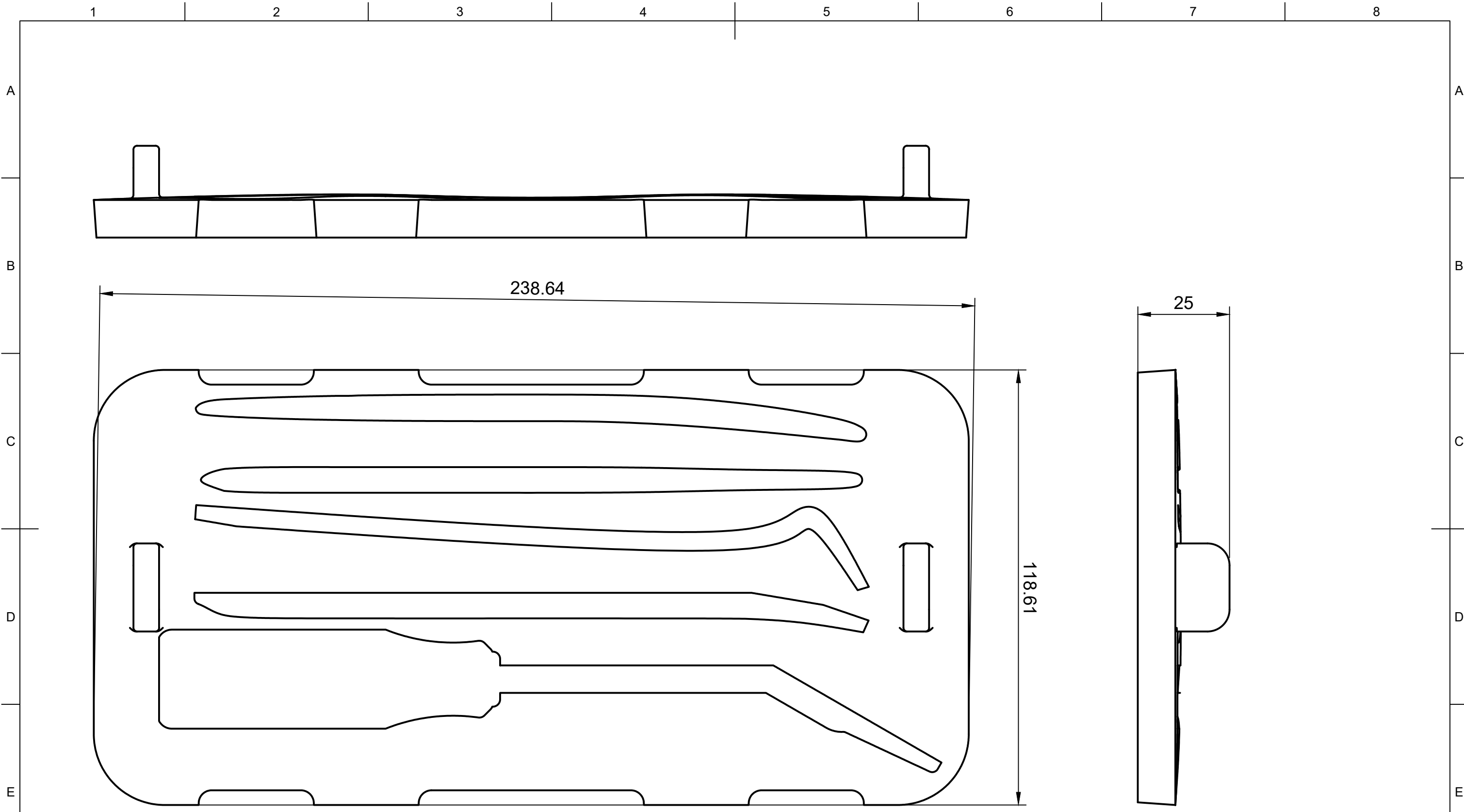
Dept.	Technical reference	Created by Sestakova Hana 2/25/2026	Approved by
		Document type Fusion Final Project	Document status
		Title Toolbox Trim Tool Set	DWG No. 2 - Parts List
	Rev.	Date of issue	Sheet 2/10



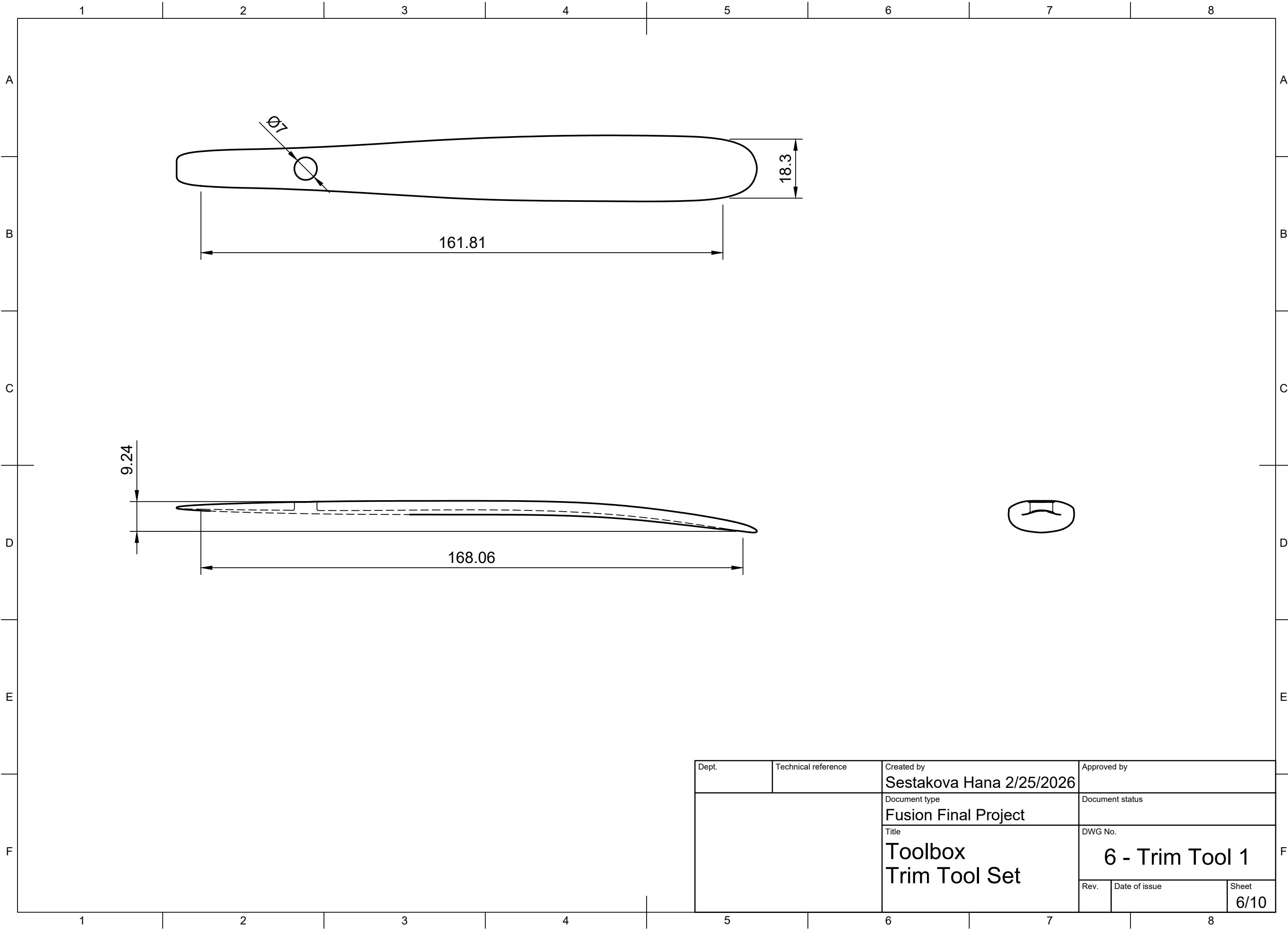
Dept.	Technical reference	Created by Sestakova Hana 2/25/2026	Approved by
		Document type Fusion Final Project	Document status
		Title Toolbox Trim Tool Set	DWG No. 3 - Toolbox Base
	Rev.	Date of issue	Sheet 3/10



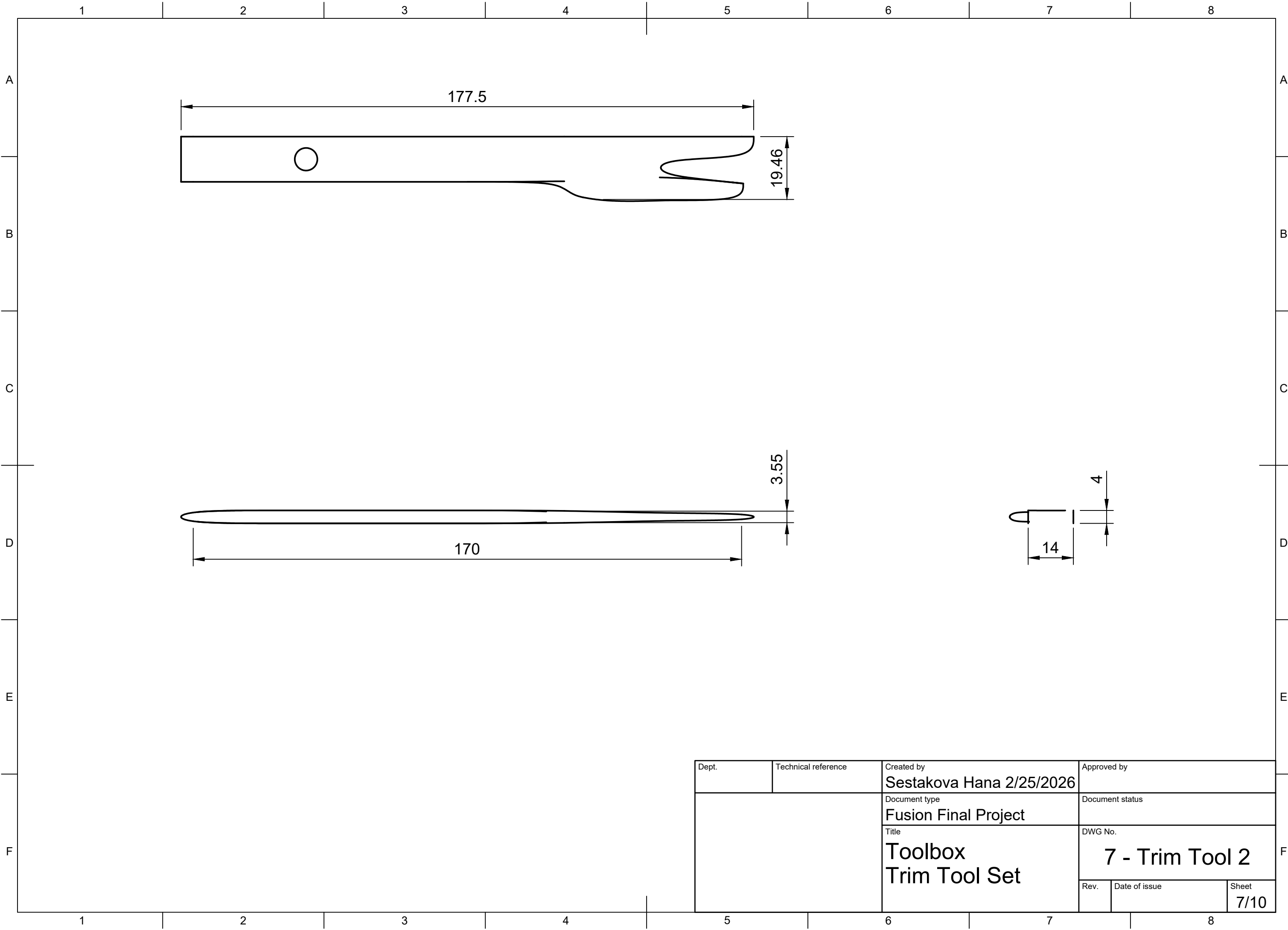
Dept.	Technical reference	Created by Sestakova Hana 2/25/2026	Approved by
		Document type Fusion Final Project	Document status
		Title Toolbox Trim Tool Set	DWG No. 4 - Toolbox Lid
	Rev.	Date of issue	Sheet 4/10



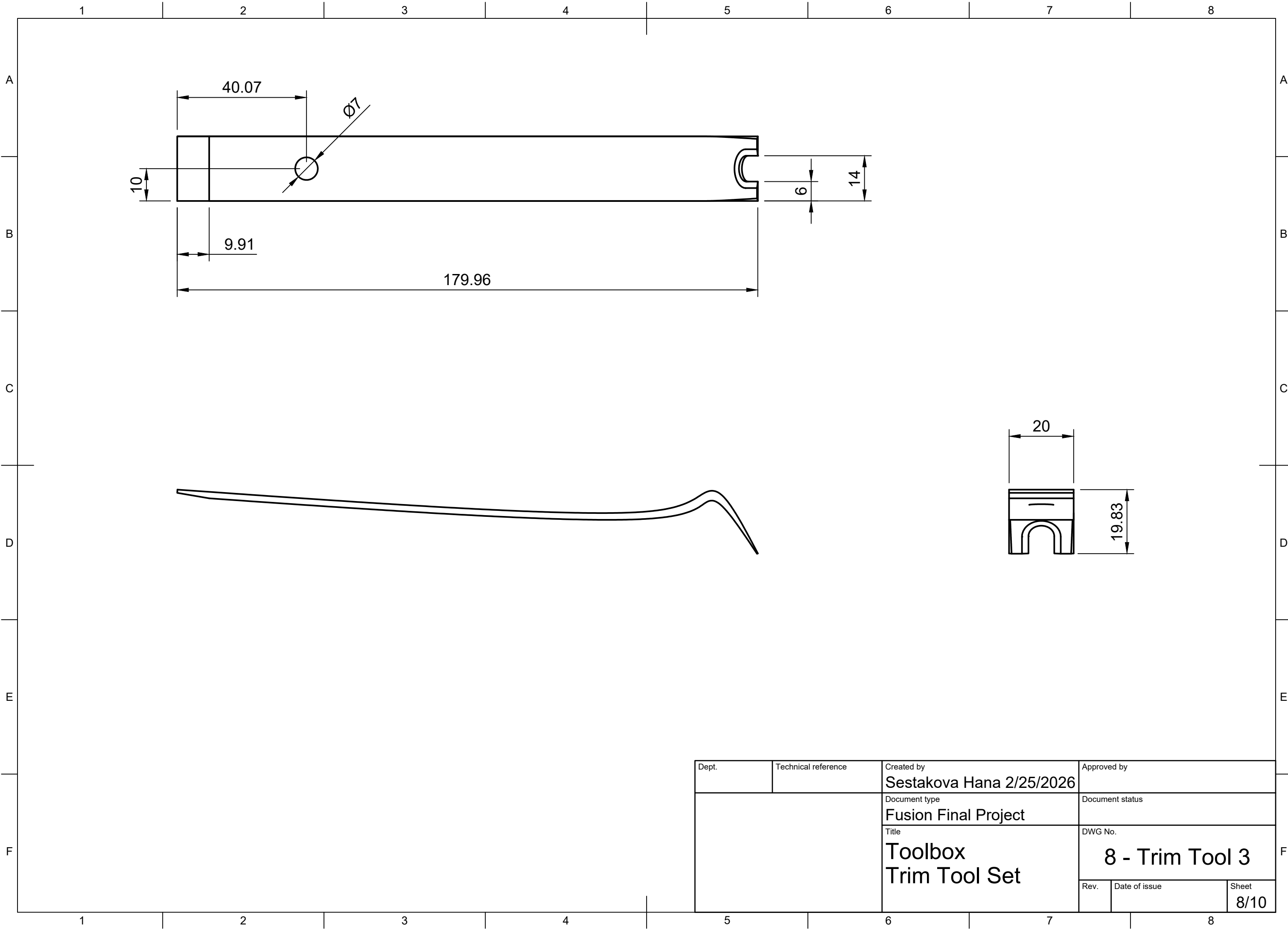
Dept.	Technical reference	Created by Sestakova Hana 2/25/2026	Approved by
		Document type Fusion Final Project	Document status
		Title Toolbox Trim Tool Set	DWG No. 5 - Tool Tray
	Rev.	Date of issue	Sheet 5/10



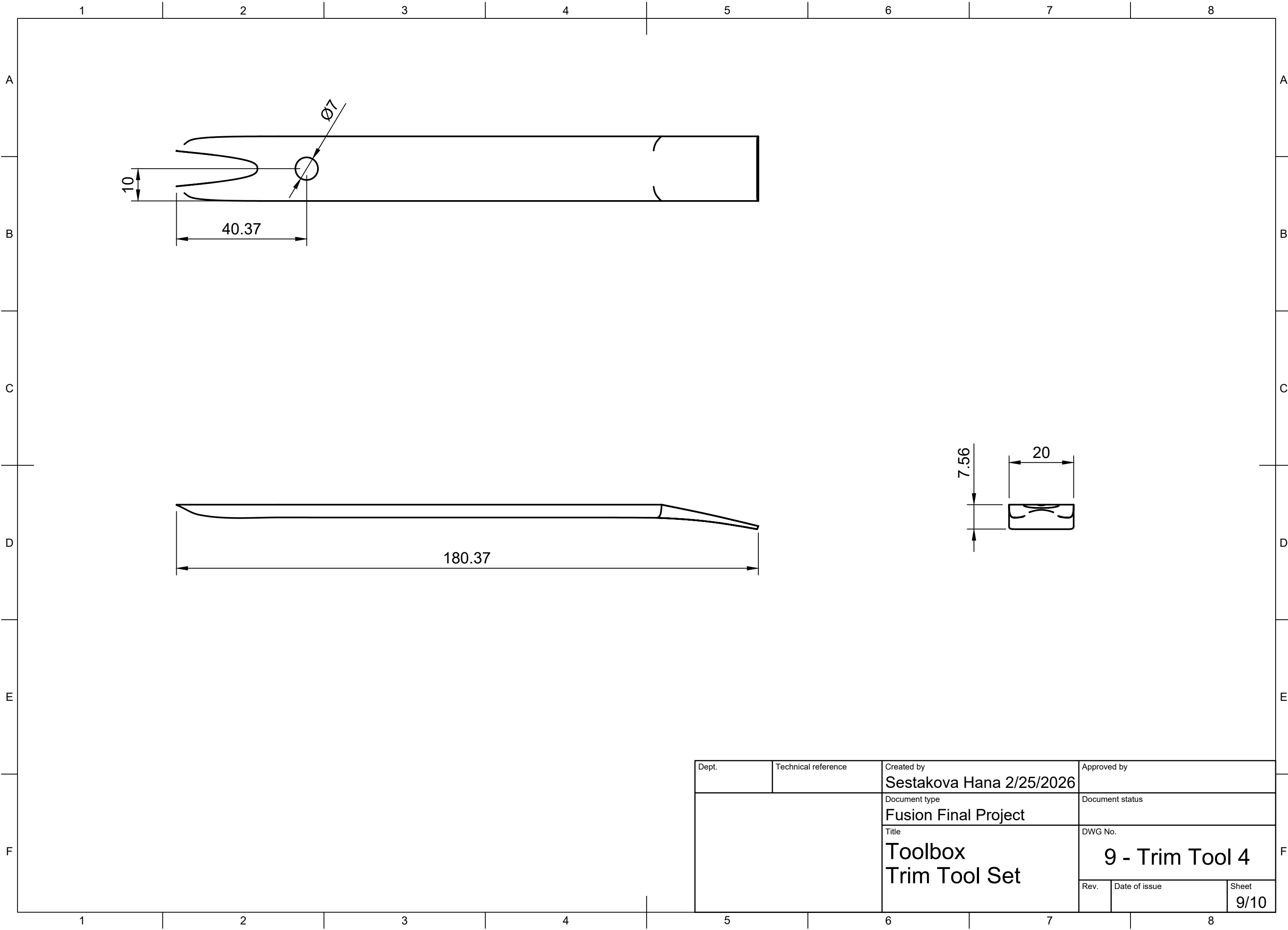
Dept.	Technical reference	Created by Sestakova Hana 2/25/2026	Approved by
		Document type Fusion Final Project	Document status
		Title Toolbox Trim Tool Set	DWG No. 6 - Trim Tool 1
		Rev.	Date of issue
		Sheet 6/10	



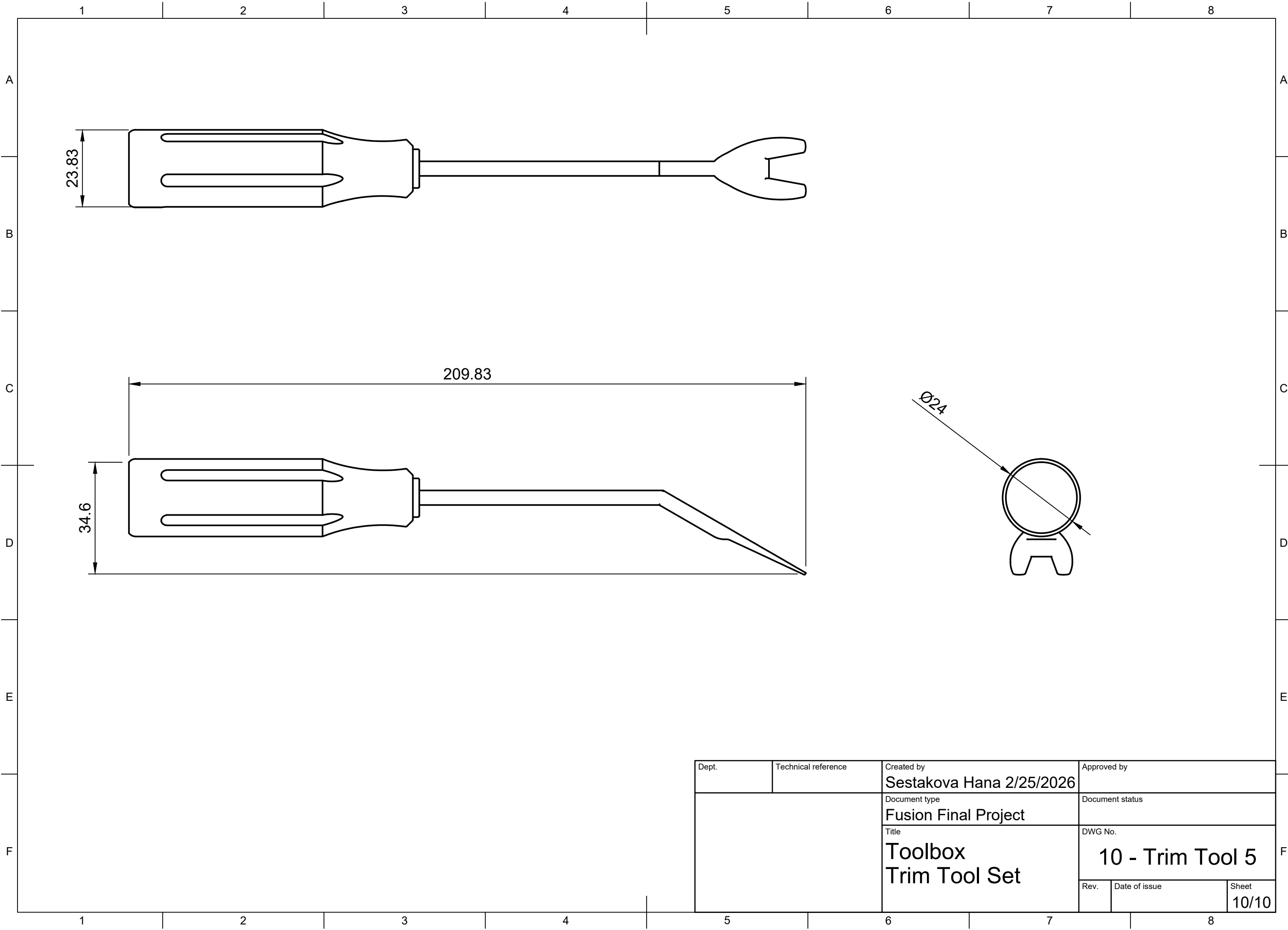
Dept.	Technical reference	Created by Sestakova Hana 2/25/2026	Approved by
		Document type Fusion Final Project	Document status
		Title Toolbox Trim Tool Set	DWG No. 7 - Trim Tool 2
		Rev.	Date of issue
		Sheet 7/10	



Dept.	Technical reference	Created by Sestakova Hana 2/25/2026	Approved by
		Document type Fusion Final Project	Document status
		Title Toolbox Trim Tool Set	DWG No. 8 - Trim Tool 3
	Rev.	Date of issue	Sheet 8/10



Dept.	Technical reference	Created by Sestakova Hana 2/25/2026	Approved by
		Document type Fusion Final Project	Document status
		Title Toolbox Trim Tool Set	DWG No. 9 - Trim Tool 4
		Rev.	Date of issue
		Sheet 9/10	



Dept.	Technical reference	Created by Sestakova Hana 2/25/2026	Approved by
		Document type Fusion Final Project	Document status
		Title Toolbox Trim Tool Set	DWG No. 10 - Trim Tool 5
		Rev.	Date of issue
		Sheet 10/10	